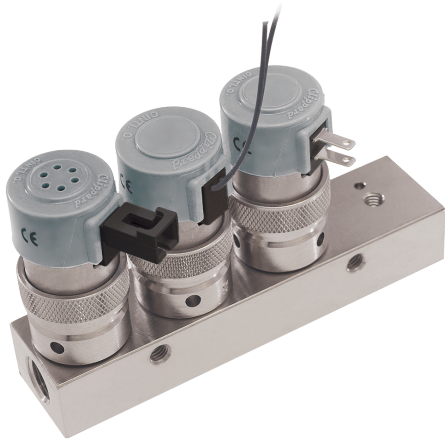
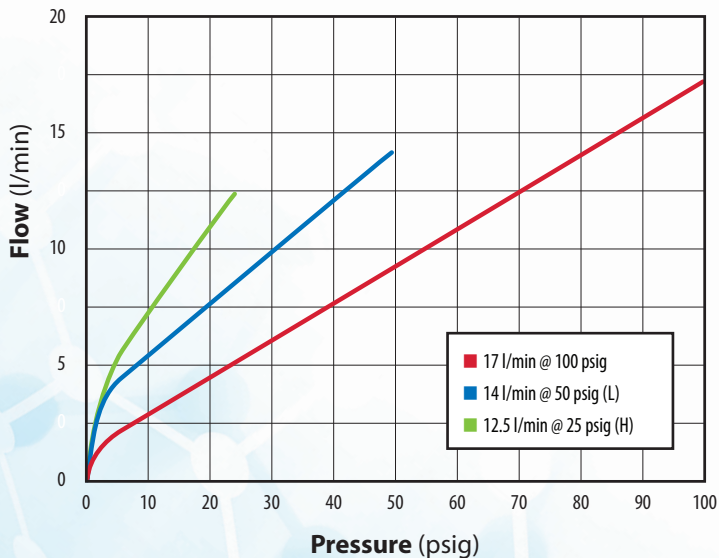


CORROSION RESISTANT EV SERIES



For applications that are susceptible to corrosion, the EV series is available in a special corrosion resistant version. The corrosion resistant series uses the same deceptively simple spider technology as the original EV series, but all the ENP steel components are swapped out for 430 stainless steel. The stainless steel components change the electrical characteristics by increasing the power consumption but do not affect the pressure or flow performance.

TYPICAL FLOW



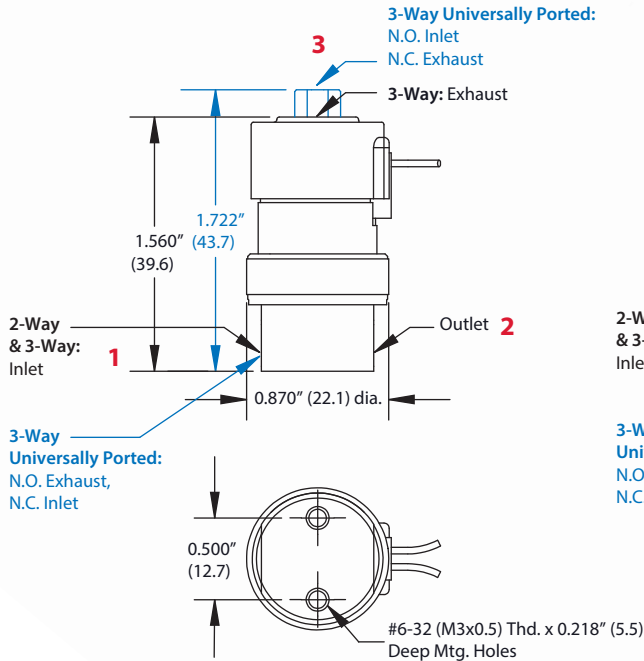
Coil Resistance	122 (12V), 486 (24V)
Connection	Pin connector, spade terminals, radial wire leads
Current	0.10A (12V), 0.05A (24V)
Cycle Life	>1,000,000,000 (<i>ideal applications</i>)
Filtration	40 micron filter (<i>recommended</i>)
Function	2-way normally-open or normally-closed; 3-way normally-open, normally-closed, or universally ported
Leak Rate	0.1 sccm
Material, Body	Nickel-plated brass, nickel iron alloy, 300 stainless steel, 430 stainless steel
Material, Seals	Nitrile standard; FKM, EPDM ¹ and silicone ¹ available
Material, Spring	ENP nickel alloy
Material, Wetted	ENP brass, ENP nickel alloy, 430 stainless steel
Max. Flow	17 l/min @ 100 psig (7 bar), 14 l/min @ 50 psig (3.4 bar), or 12.5 l/min @ 25 psig (1.7 bar)
Max. psig	105 (7.2 bar)
Medium	Clean, dry air and compatible gases
Mount	In-line or manifold
Number of Ports	2 or 3
Operating Pressure	28" Hg to 25, 50, or 100 psig (1.7, 3.4, or 7 bar)
Operating Range	90 to 110% of rated voltage
Operating Temp. Range	32 to 150°F (0 to 65°C)
Orifice	0.060", 0.040", or 0.025" (1.52, 1.02, or 0.64 mm)
Port, Exhaust	#10-32 or M5
Port, Inlet	Manifold: #10-32 male or M5 In-Line: #10-32 female or M5
Port, Outlet	#10-32 or M5 (in-line)
Response Time	5 to 10 ms (nominal) @ 25 psig (1.7 bar)
Voltage	12 or 24 VDC
Voltage Operating Range	90 to 110%
Wattage	1.2 watts (nominal)
More Details	clippard.com/link/ev-series

¹Minimum order quantity required

Does your application have requirements beyond what is listed? Contact Clippard to discuss how this valve can be modified to meet your specific needs.

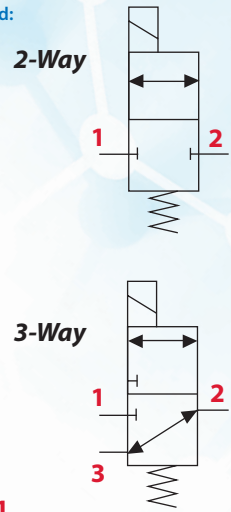
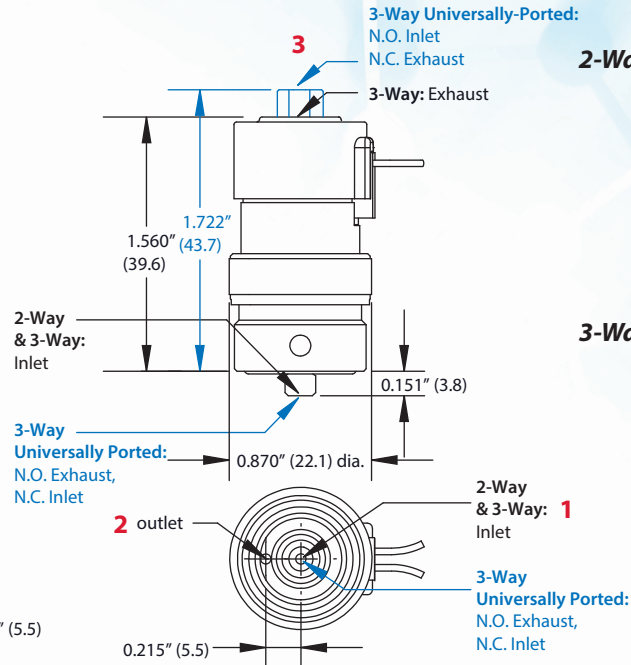
Inline Mount

2-Way, 3-Way, and 3-Way Universally Ported



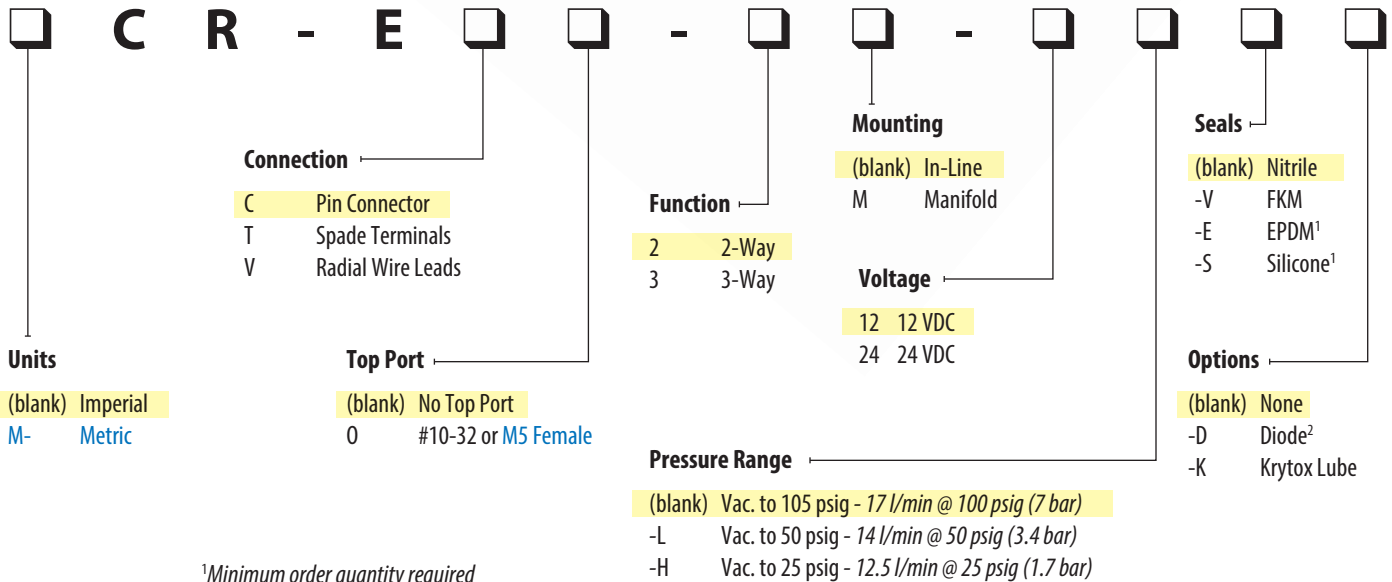
Manifold Mount

2-Way, 3-Way, and 3-Way Universally Ported



Dimensions shown are in inches (millimeters listed in parentheses).
Visit clippard.com for more detailed 2D and 3D drawings.

ORDERING INFORMATION



Example Part Number:

CR-EC-2-12

For more info, scan the QR code or visit

clippard.com/link/ev-series

